

CERTIFIED ALFALFA

COMPRESSED BALES

Certified Alfalfa Compressed Bales are formed by allowing Standlee Premium Western Forage® to grow to the proper stage of maturity, cutting the plants, allowing them to sun-cure (dry) to an acceptable moisture level and baling the forage at the optimal time. Standlee Premium Western Forage® creates compressed bales of forage from a large 4'x4'x8' bale that is put through a press, sliced horizontally, pushed onto a scale, weighed, compressed and then banded. Alfalfa forage is low in sugar, moderately high in protein, high in calories and digestible fiber. Forages are non-perishable and can last for long periods of time if stored properly. Always store forages in a cool, dry and well-ventilated area. As long as the product is properly stored, forages can last for well over a year or more. Available in 50 pound bales.

Benefits:

- Low in carbohydrates.
- Natural forage length mimics grazing.
- Certified noxious weed free.

Feeding Instructions:

On average, most horses comfortably consume 2% of their body weight in dry forage per day. This equates to 20 lbs of dry forage per day for a 1000 lb horse. Standlee recommends that you weigh the amount of forage provided to each horse to ensure you are feeding the proper amount. This is especially important with baled and compressed forage since similar volumes of forage (a flake for example) vary in weight. Standlee also recommends cutting the bands on compressed bales and allowing the bale to expand overnight to avoid overfeeding. Feed Standlee Premium Western Baled or Standlee Premium Western Compressed Forage at a minimum rate of 1.5% of body weight. Gradually increase or decrease the amount of forage to maintain desired body condition. Never feed moldy or insect infested forage to horses. Always provide free-access to fresh, clean water.

If you have questions, please contact the nutritionists at Standlee Premium Western Forage® or consult your Veterinarian.



Guaranteed Analysis:

Crude Protein.....16% Minimum
Crude Fat.....1.5% Minimum
Crude Fiber.....30% Maximum
Moisture.....12% Maximum

Ingredients:

Naturally Sun-Cured Premium Western Alfalfa Forage

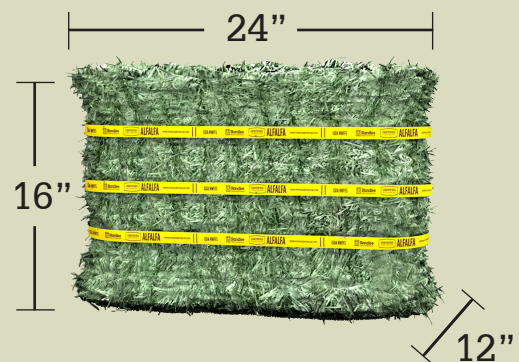
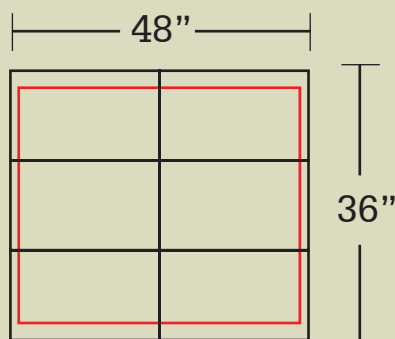
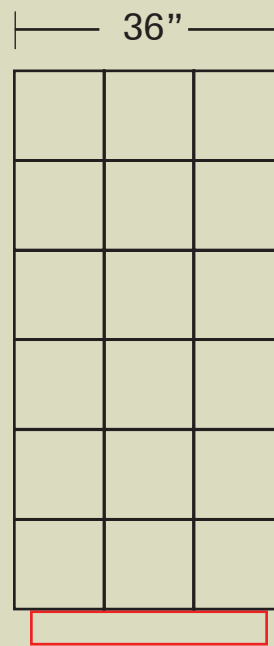
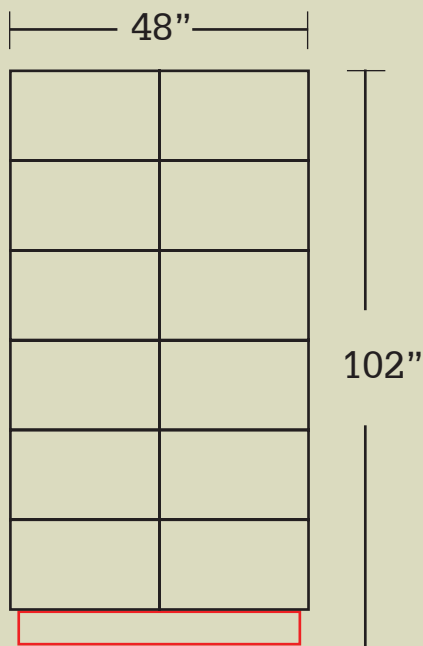
Recommended for:

Horse, cattle, bison, goat, sheep, camel, llama, alpaca, deer and elk.



CERTIFIED ALFALFA GRAB & GO™

COMPRESSED BALES



Pallet dimensions:
102"H x 36"W x 48"L

Pallet weight:
1860 lbs

Bale size:
16"H x 24"W x 12"L

Bales per pallet:
36 bales